

Project Information

Project

Application Description	
Application Name (e.g. name of system or machine)	Heslo:123456
Application Number	
Description of Utilisation (intended)	
Life Cycle (incl. start date)	
Applied Standards	
Reference to hazard analysis and risk management	
Application Specifics	
Comments	
Project (Program and Device Parametrization)	
Project Name	Emergency_1
Path to Project	D:\SafeConf_daten
Last changed	10.01.2010 21:17:59
Project CRC	- n/a -
Comments	Vytvořeno pro server hw.cz a Phoenix Contact
Archival Storage (Project and Documentation)	
Project Printed	No
Project Archived	No

	Emergency_1	Project Information	10.01.2010 21:22:21
			1

Archive Duration	
Comment	

Manufacturer

Name and Address of Manufacturer

Name	
Address	
Zip Code	
City	
Country	
Telephone	
Fax	
Email Address	
Service Contact	
Comment	

Project Manager

Name	Jaroslav Blažek
Address	
Zip Code	
City	
Country	
Telephone	
Fax	

Email Address	
Comment	

Operating Company

Name and Address of Operating Company

Company Name	
Supervisor	
Address	
Zip Code	
City	
Country	
Telephone	
Fax	
Email Address	
Service Contact	
Comment	

Address of Application Location

Same as Operating Company	No
Company Name	
Address	
Zip Code	
City	
Country	

Telephone	
Fax	
Email Address	
Comment	

Checks

Wiring	
Input Signals	Not checked
Output Signals	Not checked
Timing	
Output Signals	Not checked
Devices	
Compliance	Not checked
Device Parameters	Not checked
Inspector 1	
Name	
Address	
Zip Code	
City	
Country	
Telephone	
Fax	
Email Address	

	Emergency_1	Project Information	10.01.2010 21:22:22
			4

Comment	
Signature / Date	
Inspector 2	
Name	
Address	
Zip Code	
City	
Country	
Telephone	
Fax	
Email Address	
Comment	
Signature / Date	

History

Previous Project	
Predecessor exists?	No

Assignment Map

Signals

0:Master Device	
0_M0	
0_M1	
0_M2	
0_M3	
0_I0	Vstup kanál A hřibové ovladače
0_I1	Vstup kanál B hřibové ovladače
0_I2	
0_I3	
0_I4	
0_I5	
0_I6	
0_I7	
0_I8	
0_I9	
0_I10	
0_I11	
0_O0	
0_O1	

0_O2	
0_O3	
0_I12	
0_I13	
0_I14	
0_I15	
0_I16	
0_I17	
0_I18	
0_I19	

	Emergency_1	Assignment Map	10.01.2010 21:22:24
			7

Hardware Structure

Table 1

Location ID	Device	Device Type	Version	Vendor	Order number
0	PSR-TRISAFE	Master Device	01/1.00	Phoenix Contact	2986012

Safety Parameters

Location ID: 0

Device Type: Master Device

Description: PSR-TRISAFE

Import filename:

Parameter	Value
Input 0	
cross-circuit detection	yes, with test pulse T0
Input 1	
cross-circuit detection	no
Input 2	
cross-circuit detection	no
Input 3	
cross-circuit detection	no
Input 4	
cross-circuit detection	no
Input 5	
cross-circuit detection	no
Input 6	
cross-circuit detection	no
Input 7	
cross-circuit detection	no
Input 8	
cross-circuit detection	no
Input 9	
cross-circuit detection	no
Input 10	
cross-circuit detection	no
Input 11	
cross-circuit detection	no
Input 12	
cross-circuit detection	no
Input 13	
cross-circuit detection	no
Input 14	
cross-circuit detection	no
Input 15	
cross-circuit detection	no
Input 16	
cross-circuit detection	no

Emergency_1

Safety Parameters

10.01.2010 21:22:25

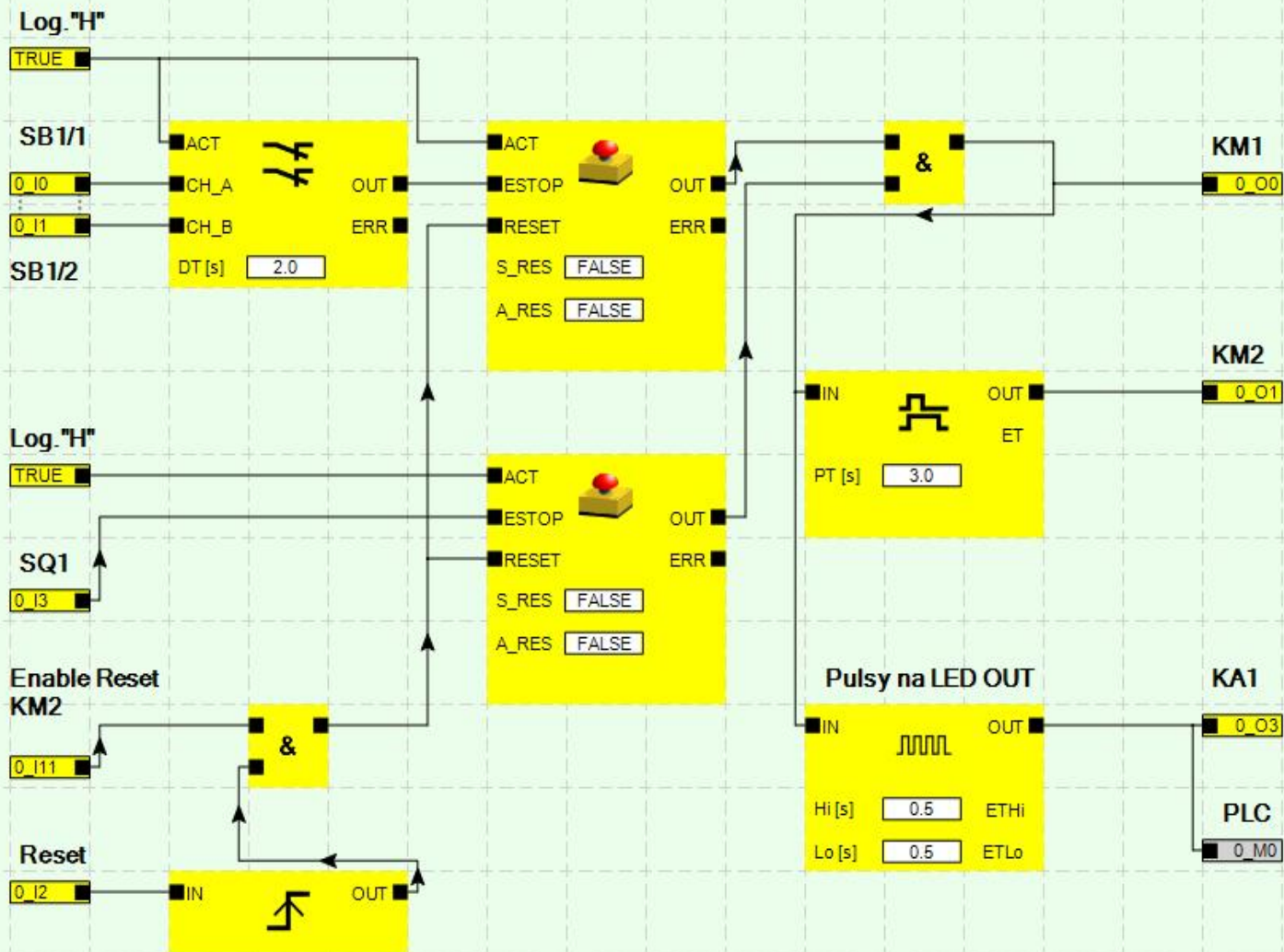
Parameter	Value
Input 17	
cross-circuit detection	no
Input 18	
cross-circuit detection	no
Input 19	
cross-circuit detection	no
Output 0	
additionally ground switching contact	no
Output 1	
additionally ground switching contact	no
Output 2	
additionally ground switching contact	no
Output 3	
additionally ground switching contact	no

	Emergency_1	Safety Parameters	10.01.2010 21:22:26
			10

1



Hřibový dvoukanálový ovladač + jednocánálový člen



Emergency_1

Main 1, 1

10.01.2010 21:22:27

2



< click here to insert a description >

Emergency_1

Main 1, 2

10.01.2010 21:22:27